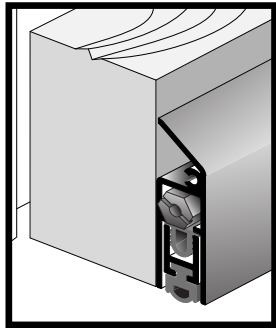
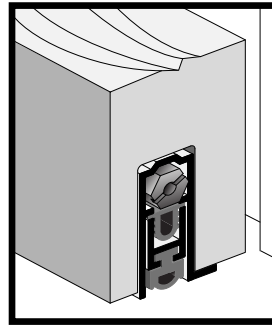
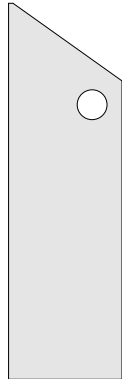


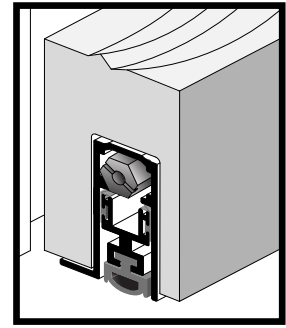
#321 / 323 / 340 Automatic Door Bottoms - Handed INSTALLATION INSTRUCTIONS



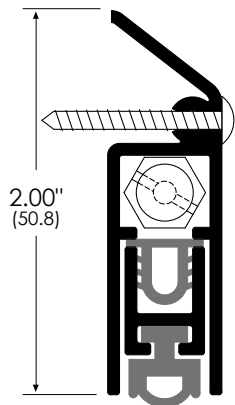
Surface-Mounted



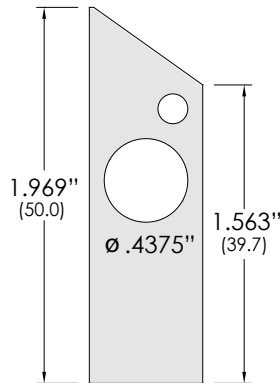
Mortised



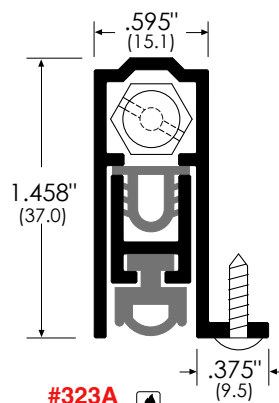
Mortised



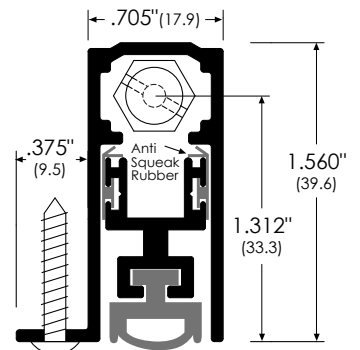
#321AA
Handed
(L.H. shown)



End Caps for #321



#323A
Handed
(L.H. shown)



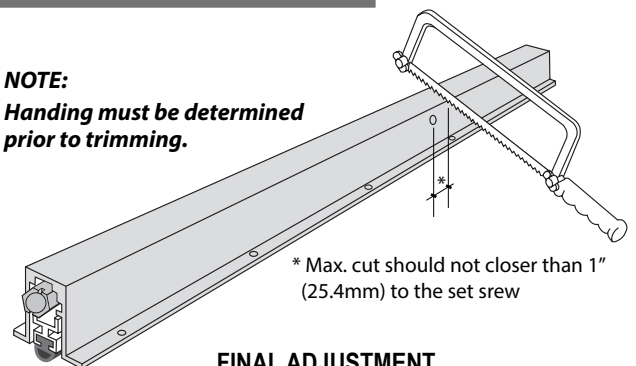
#340A
Handed
(R.H. shown)

TO INSTALL:

- 1 Surface mounted unit must be mounted on the push side of the door stop (side where the door stop is).
- 2 The brass adjusting nut must be on the hinge side and should not be adjusted until the unit has been mounted.
- 3 Leave 1/16" (1.6) clearance on each end.
- 4 Optimum clearance between door bottom unit and floor or sill is 3/8" (9.5).

TRIMMING INSTRUCTIONS

NOTE:
Handing must be determined prior to trimming.



* Max. cut should not be closer than 1" (25.4mm) to the set screw

FINAL ADJUSTMENT

After unit has been mounted turn adjusting nut in / out until closing door pushes neoprene seal down to make contact with floor / sill

